

Polyform® Purse Seine Floats

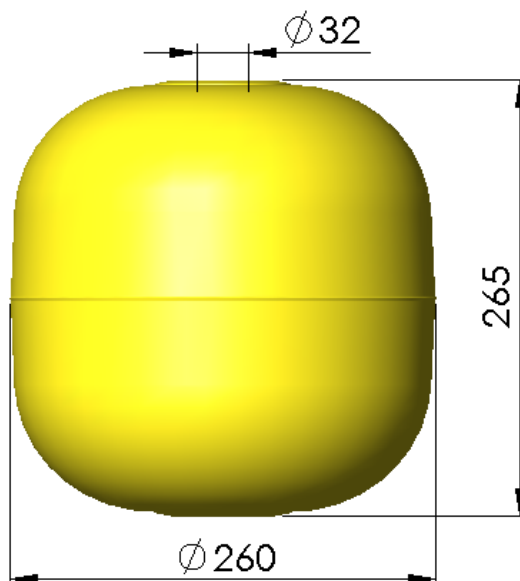


Proudly made by
The Originator of
Modern Plastic Buoys

POLYFORM® OF NORWAY

The NF10 Bacell™ Purse seine Floats are manufactured from ethylene vinyl acetate (EVA) to our in-house developed raw material recipe. Advanced production technology guarantees floats of superior quality. The grommets are a part of the products from stage one in the production cycle and thus form an integrated part of the finished products. BACELL™ floats are light in weight, have very high tensile strength and do not absorb any water. The outstanding elasticity of the Bacell® material provides floats that have the highest resistance to shrinkage, permanent deformation and breakage.

Product information



Article	NF10
Diameter	260 mm
Length	265mm
Centre hole diameter	32 mm
Weight (nominal)	1600 g
Net buoyancy	9600 g

Technical information

Material	EVA
Hardness surface, shore A	48
Hardness foam core, shore A	35
Compression strength @10% strain speed 10 mm/min	225kPa
Recommended min temp.	-25°C
Recommended max temp.	40°C
Temp. not to be exceeded	50°C
Density (g/l.)	145

Polyform AS

Polyform AS is a world leading manufacturer of buoys fenders and floats, and the originator of the modern inflatable plastic buoy. The company is registered in Norway and situated in Ålesund at the north-western coast of Norway, and benefits from being located in one of the world's most innovative maritime environments.

The product range of Polyform AS consists of:

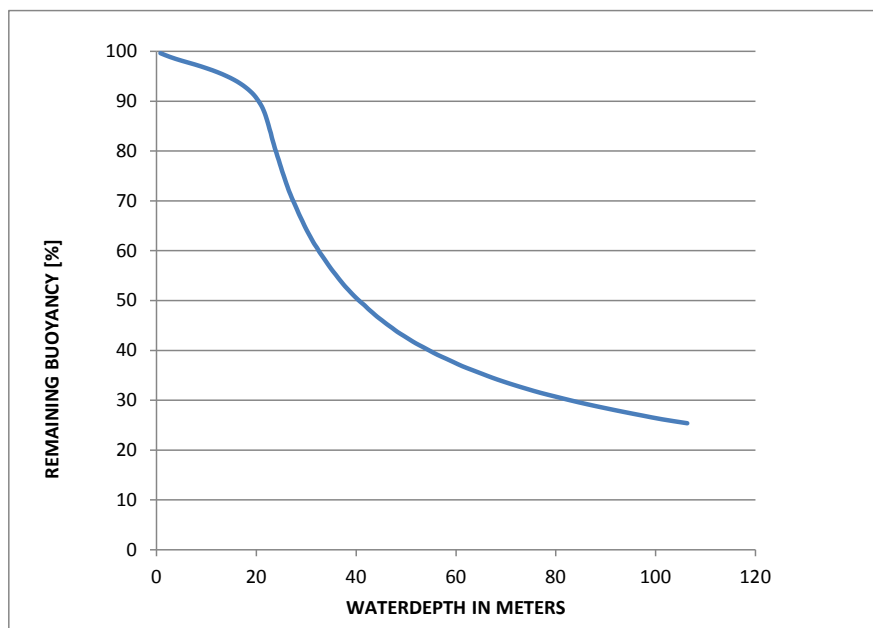
- Inflatable buoys and fenders made from soft Vinyl plastics.

- Purse Seine Floats, buoys and marina fenders made from BACELL closed cell foam.

- Hard-shell buoys and pontoon floats made from PE and filled with foam

POLYFORM AS
Tverrvegen 37
N-6020 Ålesund
Norway

+47 70 17 25 50
+47 70 14 76 36
mail@polyform.no
www.polyform.no



For all measurements, weights and other technical data specified in this data sheet, please allow for a deviation of not less than +/-5%. The illustration may deviate from the actual product.