

Polyform® MP Series Pontoons

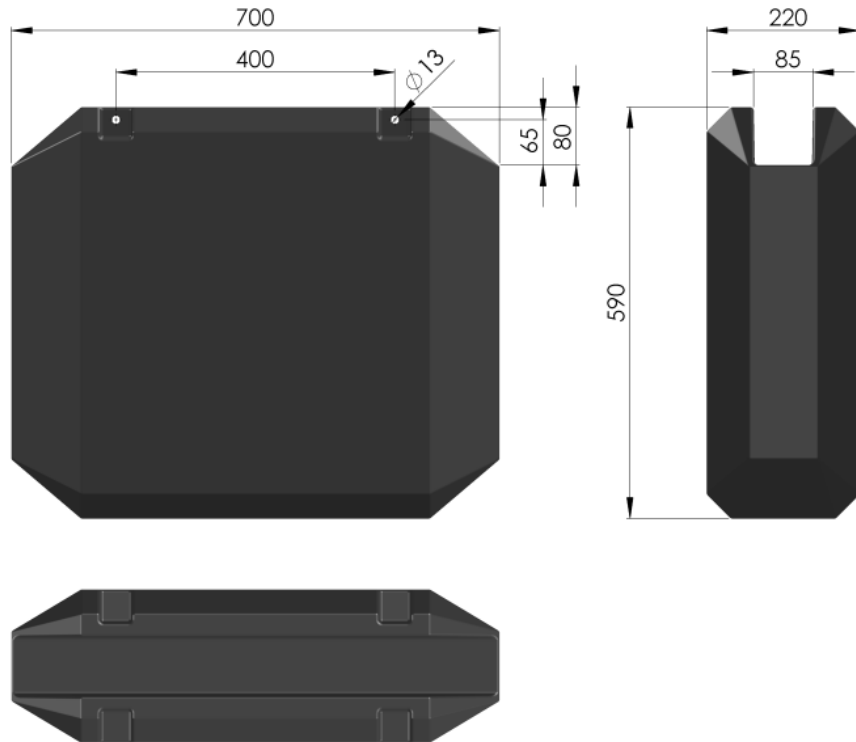


Proudly made by
The Originator of
Modern Plastic Buoys

POLYFORM™ OF NORWAY

The pontoon floats are rotomolded from polyethylene (PE) and mainly produced with polystyrene as secondary buoyancy. In case of damage to the products the solution with polystyrene foam will maintain the buoyancy of the pontoon float until due service is done. The pontoon floats are suitable both for marina producers and DIY (do it yourself). One of the advantages for the marina producers to use standard products is low development cost in the establishment phase. We can also offer custom molding of special designed pontoon floats for defined applications

Product information



Polyform AS

Polyform AS is a world leading manufacturer of buoys fenders and floats, and the originator of the modern inflatable plastic buoy. The company is registered in Norway and situated in Ålesund at the north-western coast of Norway, and benefits from being located in one of the world's most innovative maritime environments.

The product range of Polyform AS consists of:

- Inflatable buoys and fenders made from soft Vinyl plastics.

- Purse Seine Floats, buoys and marina fenders made from BACELL closed cell foam.

- Hard-shell buoys and pontoon floats made from PE and filled with foam

POLYFORM AS
Tverrvegen 37
N-6020 Ålesund
Norway

+47 70 17 25 50
+47 70 14 76 36
mail@polyform.no
www.polyform.no

Article number

MP80

Length	700 mm
Width	220 mm
height	590 mm
Weight (nominal)	10 Kg
Gross volume	80 L
Buoyancy	70 Kg
Fixing holes x diameter	4 x 13mm

Technical information

Buoy body material description

Material	LLPE
Hardness, shore D	57
Tensile strength	17,5 MPa
Ultimate Elongation	650%
Recommended min temp.	-25°C
Recommended max temp.	40°C
Temp. not to be exceeded	50°C
Specific gravity	0,94

Foam core material description

Material	EPS
Density	25 Kg/m ³
Compressive strength	50 KPa

For all measurements, weights and other technical data specified in this data sheet, please allow for a deviation of not less than +/-5%. The illustration may deviate from the actual product.